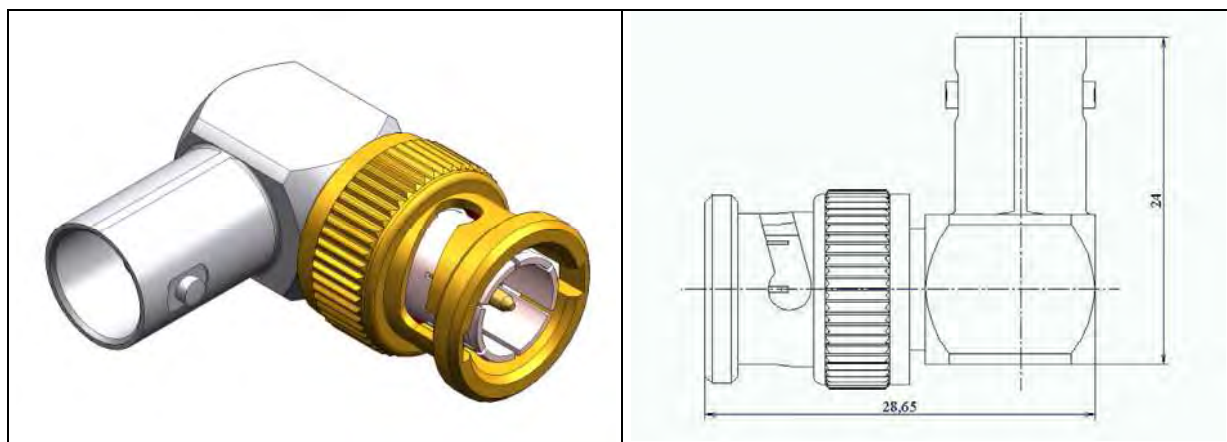


BNC M/F Right Angle Adaptor (50Ω)

REF : 60014

A



| | |
|-----------------------|------------------|
| Impedance | 50 ±1 Ω |
| Proof voltage | 1000 Volts |
| Insulation | > 5000 Mohms |
| Materials | |
| - Body, nut | Brass |
| - Insulator | Polymethylpenten |
| Platings | |
| - Body, nut | Nickel |
| - Center contact | Gold |
| Operating temperature | -40°C / +80°C |