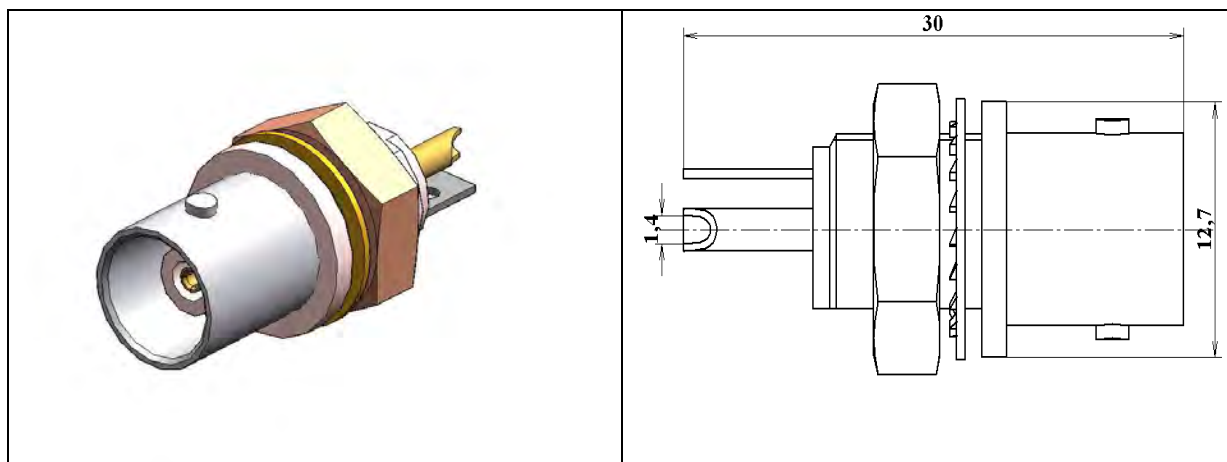



<b>BNC Insulated Bulkhead</b>	<b>REF : 60022</b>	<b>B</b>
-------------------------------	--------------------	----------



Impedance	50 ohms
Proof voltage	1000 Volt mini
Insulation	> 5000 Mohms
Attachment type	Soldering
Materials	
- Outer contact	Brass
- Insulated body	POM
- Dielectric	PTFE
Platings	
- Body	Nickel
- Center contact	Gold
Operating temperature	-40°C / +80°C

	Date : 10 / 12 / 2009	Edition B
	Creation: BG	Validation: MYG