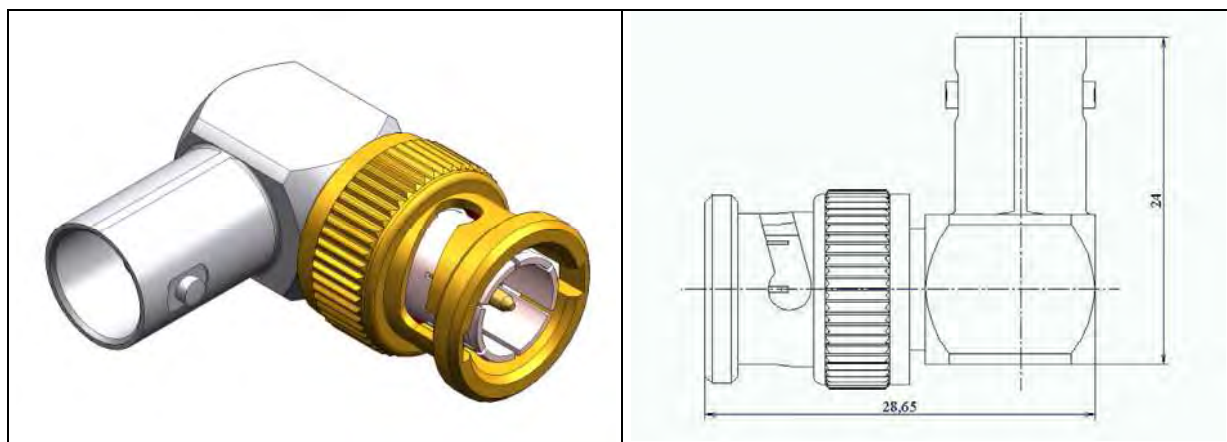


BNC M/F Right Angle Adaptor (75Ω)

REF : 60114

A



Impedance	75 ±1 Ω
Proof voltage	1000 Volts
Insulation	> 5000 Mohms
Materials	
- Body, nut	Brass
- Insulator	Polymethylpenten
Platings	
- Body, nut	Nickel
- Center contact	Gold
Operating temperature	-40°C / +80°C